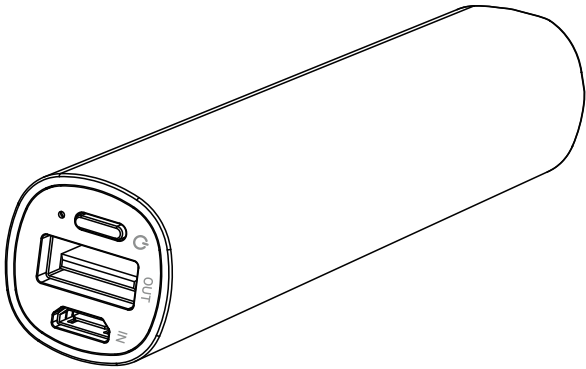


# MOXYO

## Power Bank Uptown™ P2600 Manual

Thank you for purchasing our mobile Power Bank Uptown™ P2600, a high capacity rechargeable battery capable of providing power to smart phones and other mobile devices. Please read the following carefully before using the product.



### FCC Statement:

This device complies with Part 15 of the FCC Rules.

Operation is subject to the following two conditions:

- (1) This device may not cause harmful interference.
- (2) This device must accept any interference received, including interference that may cause undesired operation.



## ● Specifications

Battery Type: Lithium-ion Battery

Battery Life Cycle:  $\geq 500$  cycles

Input: 5V/1A

Output: 5V/1A

Capacity: 2600mAh@3.7V (9.62Wh)

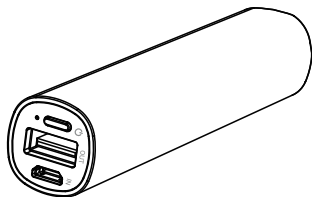
Unit Dimensions: 98\*23\*23mm

Using Temperature: 0°C~45°C

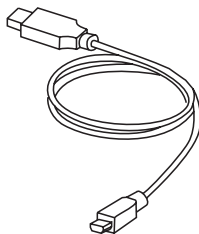
Charging Time: Approx. 3.5 hours

## ● Package Contents

- ① Power Bank
- ② USB to Micro USB Charging Cable
- ③ Owner's Manual

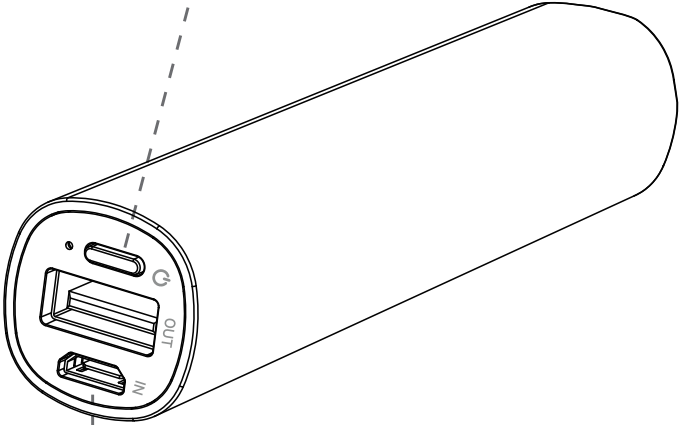


Power Bank( Pic.1 )



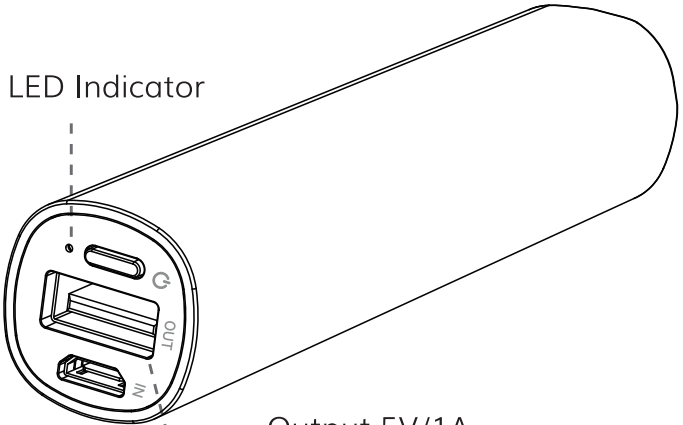
USB to Micro USB  
Charging Cable( Pic.2 )

Power ON/OFF Button



Input 5V/1A

LED Indicator



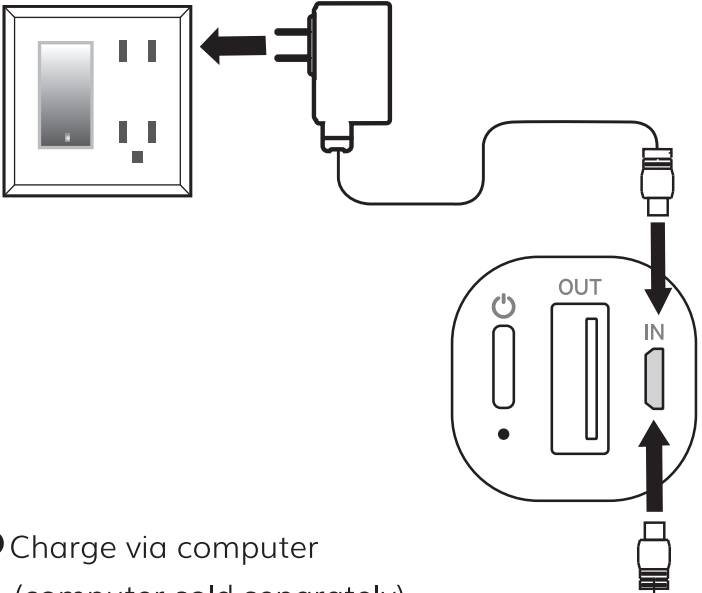
Output 5V/1A



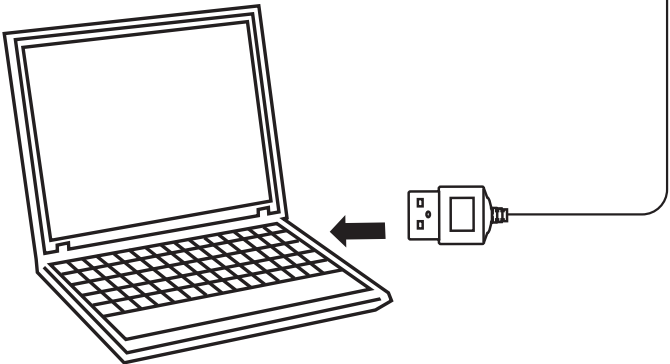
## ① Charging your Power Bank

- If the red LED light is flashing quickly, the power bank is out of power and should be charged. Press the ON/OFF button to check the battery level.
- Connect micro USB plug to power bank's input port.
- Micro USB charging cable included.
- Connect power bank to computer's USB port or AC adapter (sold separately).
- The power bank will start charging within 5 seconds.
- When the power bank is fully charged, the LED light is green.

- Charge via Wall Adapter  
(adapter sold separately)



- Charge via computer  
(computer sold separately)





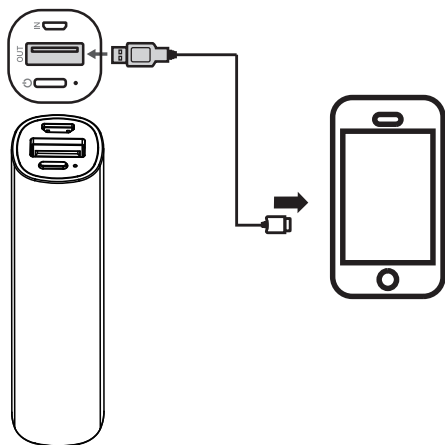
## ② Charging Your Devices Using the Power Bank

-Connect your device to the USB port of the power bank using your device's charging cable.

-Press the ON/OFF button.

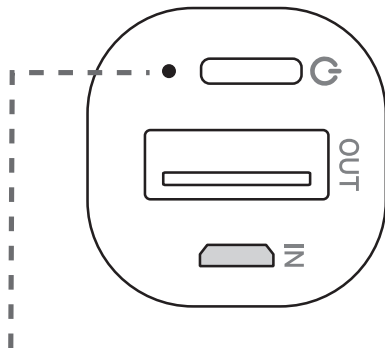
The power bank will start charging the device.

-Disconnect the device from power bank after charging.

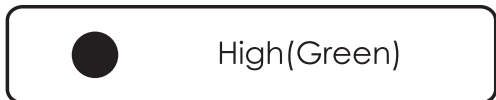
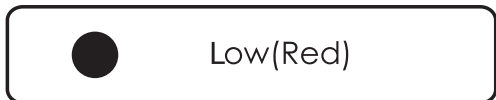


Suitable for USB-enabled products





## LED Indicator



- Remarks:
- LED light - on
  - LED light - off

# Safety And Maintenance



- Do not expose power bank to fire or high temperature.



- Do not disassemble or short circuit the power bank.



- Do not expose power bank to moisture or high humidity.



- Discontinue use if you find liquid leakage, overheating or other unusual conditions, or if power bank is damaged.



*For more details visit:*

*[www.moxyo.com/owners-manual](http://www.moxyo.com/owners-manual)*